

High Power LED Units LLM3WU series

We realize most appropriate LED units for outdoor lighting to combine high power LED and our own luminous intensity distribution control technology, which is cultivated by automobile head lamp. You can choose luminous intensity distribution from four characteristic lenses as usage.



■ Features

- High light intensity(15W type)
- Lens variation 4types
- Heat radiated structure
- Waterproof structure (IP54class)

■ Main application

- Road lights
- Street lights
- Parking lights
- Security lights
- Sign lights

STANLEY

LLM3WU series

Please make sure to read the specifications before use.

15W class

Optical lens

Waterproof structure

Radiation structure

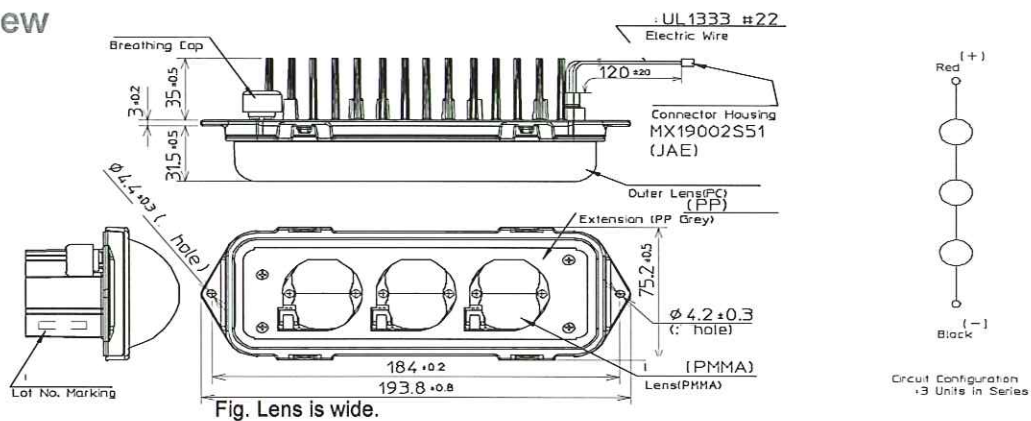
Constant current

RoHS

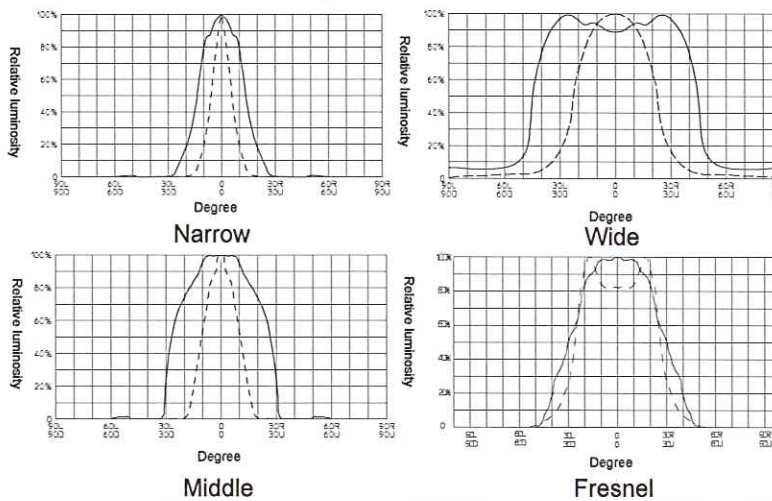
Line-up

P/N	LED color [K] typ.	Lens	Vf of LED Unit[V] typ.	Watts [W] typ.	Luminous Flux IF=0.4A [Lm] typ.	Luminous intensity IF=0.4A [cd] typ.
LLM3WU-001	White 5,000	Wide	39.6 (IF=0.4A)	15.8 (IF=0.4A)	510	480
LLM3WU-002		Middle			495	1,500
LLM3WU-003		Narrow			450	3,360
LLM3WU-008		Fresnel			540	555

External view



Light distribution characteristic



Suggested lighting device
40V-400mA
Constant current power supply

Model number
1Unit-400-CCN
CE,PSE acquired

Connectable lighting number:1

Production
SHANGHAI MOONS'
AUTOMATION

Sales
Stanley Electric CO.,LTD.

* The indicated performance, specification, and other information may be changed without notice subject to technological development.

※SPEC: 2008 December



STANLEY ELECTRIC CO.,LTD.

●United kingdom

Tel: +44-13-44-393-053

●Germany

Tel: +49-6105-9305-3

●France

Tel: +33-1-47-81-85-85

●U.S.A

Tel: +1-949-222-0777

<http://www.stanley-nlb.com>