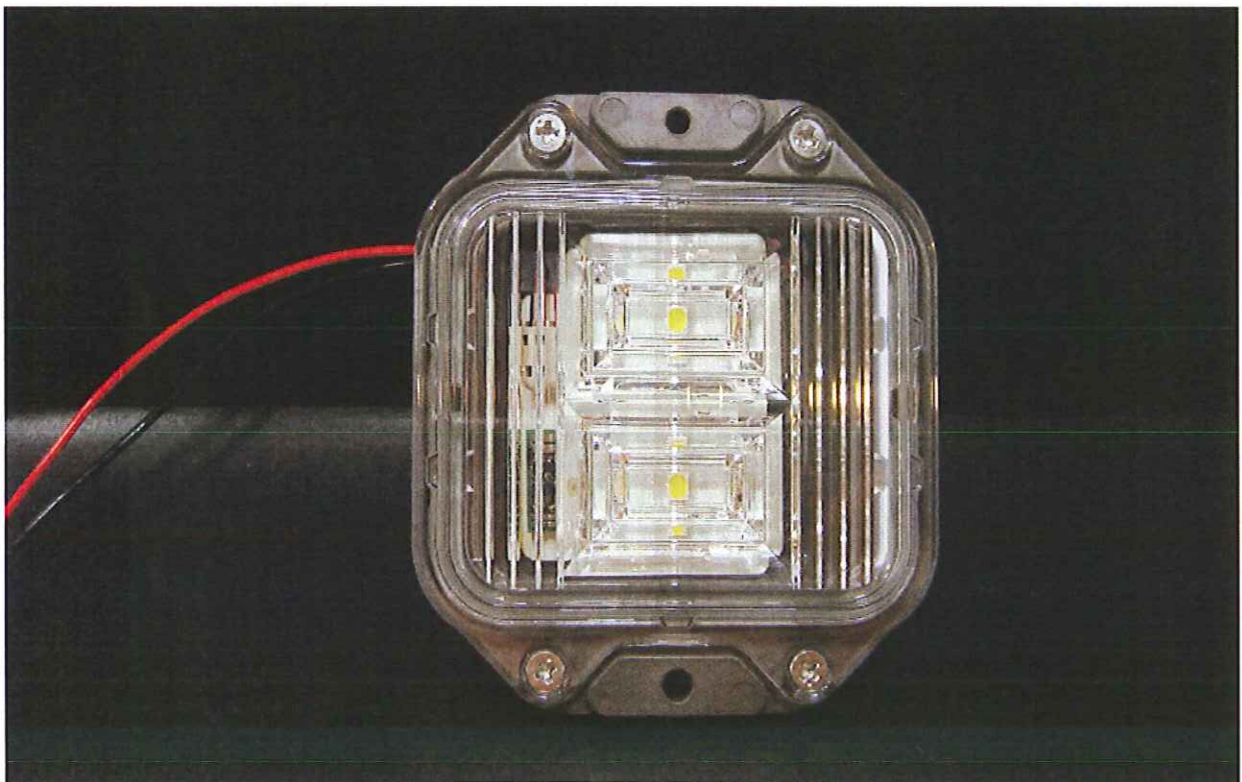


# High Power LED Units

## LLM2WU series

We realize most appropriate LED units for outdoor lighting to combine high power LED and our own luminous intensity distribution control technology ,which is cultivated by automobile head lamp. Incorporate DC/DC converter make easy DC drive.



### ■ Features

- Compact size
- Incorporate constant current circuit
- Heat radiated structure
- Waterproof structure(IP54class)

### ■ Main application

- Street lights
- Parking lights
- Warehouse lights
- Garden lights

**STANLEY**

# LLM2WU series

Please make sure to read the specifications before use.

4W class

Optical lens

Waterproof structure

Radiation structure

DC12V

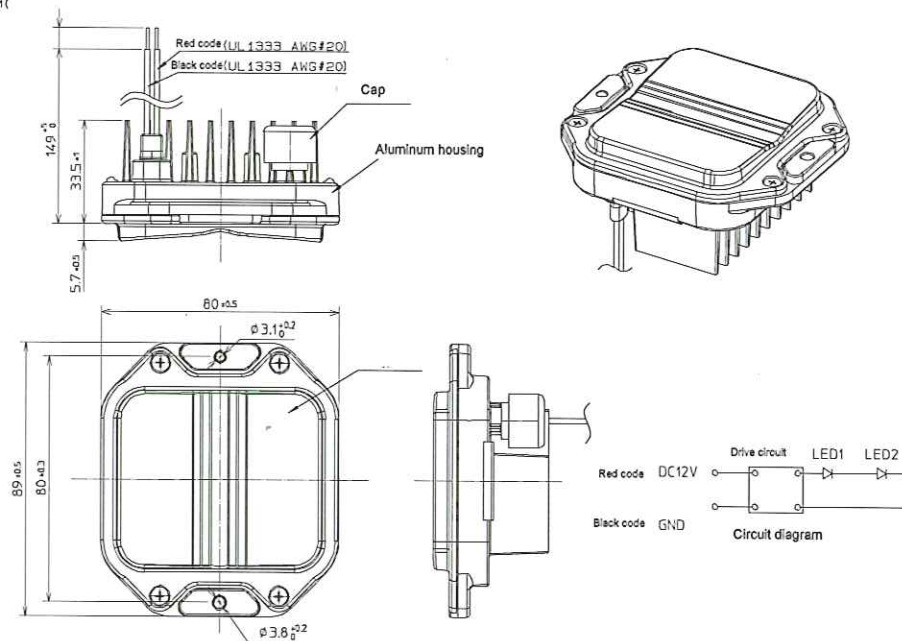
RoHS

## Line-up

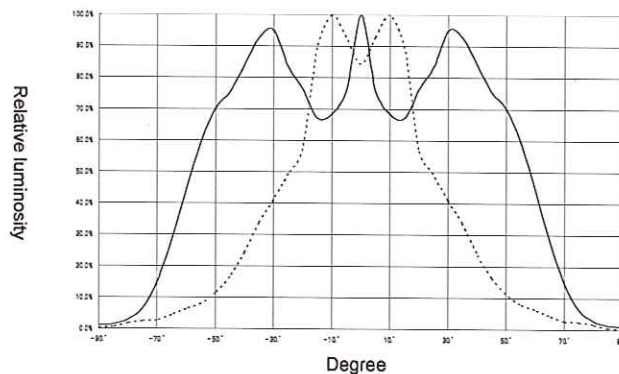
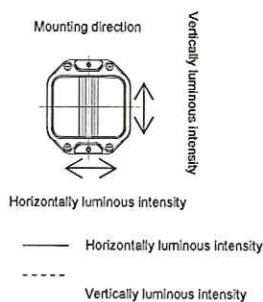
P/N	LED color [K] typ.	Lens	Input Voltage [V] typ.	Watts [W] typ.	Luminous Flux Vin=12V [Lm] typ.	Luminous intensity Vin=12V [cd] typ.
LLM2WU-001	5,100	Fresnel	12	3.6	229	101

※ Total luminous flux

## External view



## Light distribution characteristic



\* The indicated performance, specification, and other information may be changed without notice subject to technological development.

※SPEC: 2008 December



STANLEY ELECTRIC CO., LTD.

● United Kingdom  
Tel: +44-13-44-393-053

● Germany  
Tel: +49-6105-9305-3

● France  
Tel: +33-1-47-81-85-85

● U.S.A  
Tel: +1-949-222-0777

<http://www.stanley-nlb.com>