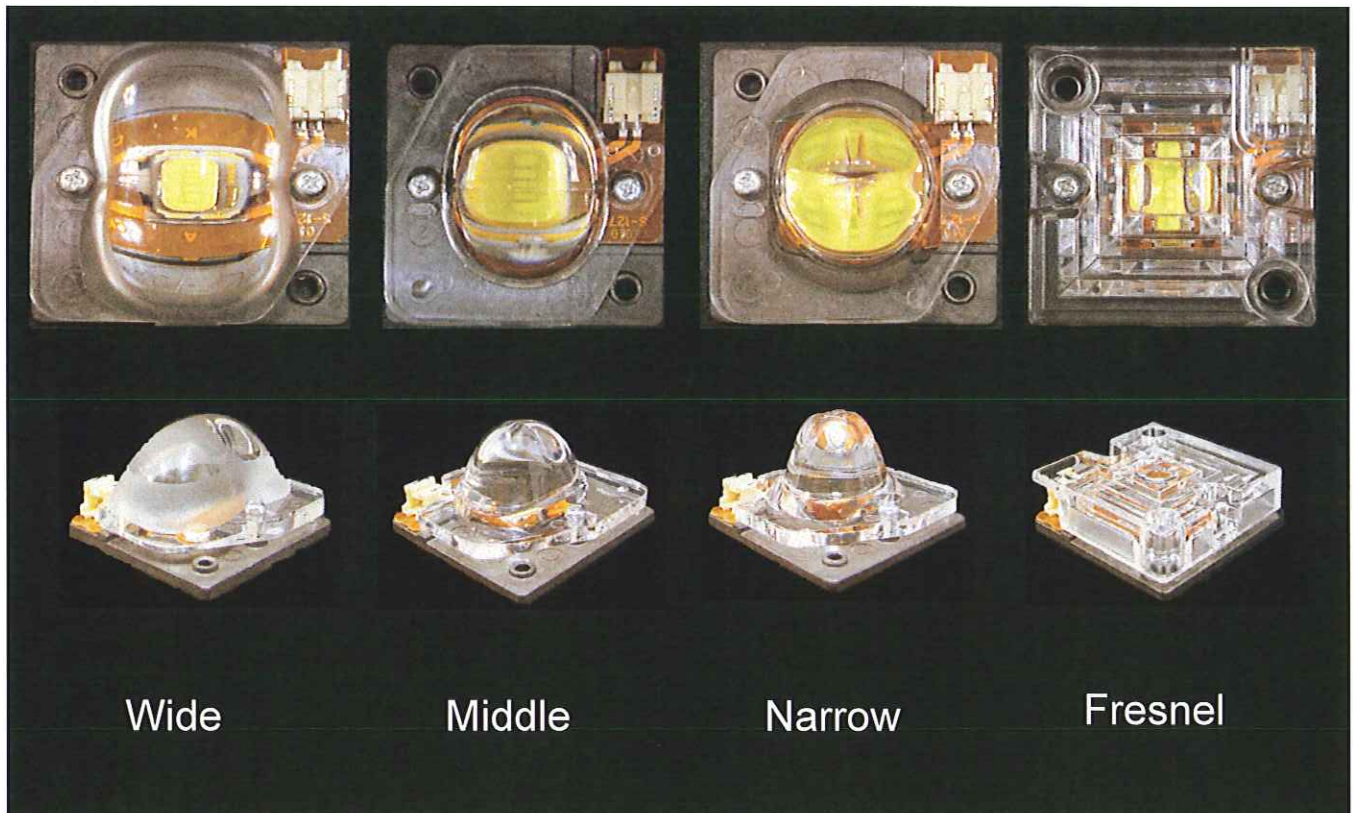


High Power LED Modules

LLM1 WM series

We realize most appropriate LED modules for outdoor lighting to combine high power LED and our own luminous intensity distribution control technology, which is cultivated by automobile head lamp.

You can choose luminous intensity distribution from four characteristic lenses as usage.



■ Features

- High light intensity(5W type)
- Lens variation 4types
- Design free lamp fitting available

■ Main application

- Road lights
- Street lights
- Parking lights
- Security lights
- Sigh lights

STANLEY

LLM1WM series

Please make sure to read the specifications before use.

5W class

Optical lens

Constant current

Design Free

RoHS

Line-up

P/N	LED color [K] typ.	Lens	Vf of LED Module[V] typ.	Watts [W] typ.	Luminous Flux IF=0.4A [Lm] typ.	Luminous intensity IF=0.4A [cd] typ.
LLM1WM-001	White 5,000	Wide	13.2 (IF=0.4A)	5.28 (IF=0.4A)	200	190
LLM1WM-002		Middle			195	590
LLM1WM-003		Narrow			180	1,320
LLM1WM-008		Fresnel			215	220

External view

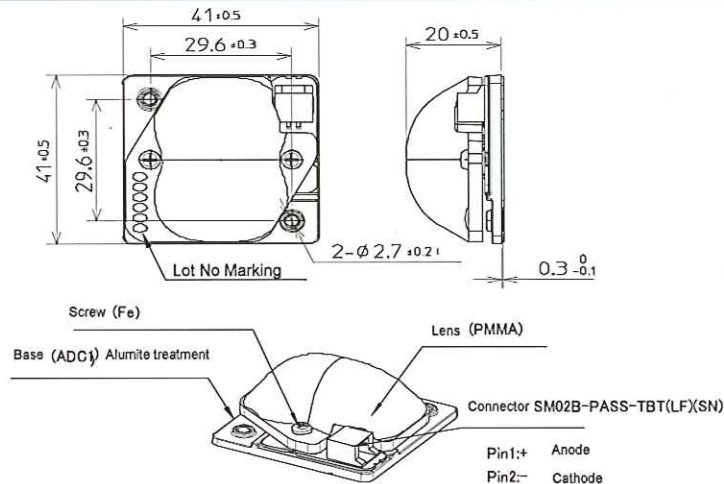
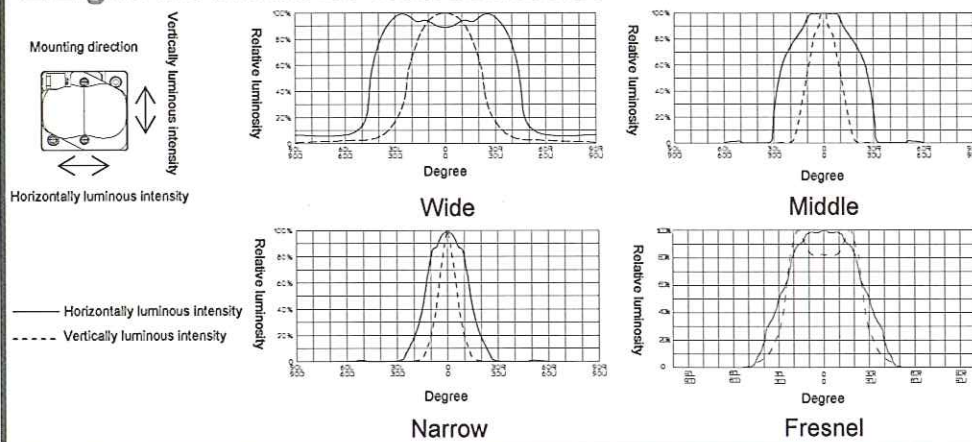


Fig. Lens is wide.

Light distribution characteristic



■ Suggested lighting device
40V-400mA
Constant current power supply

Model number
1Unit-400-CCN
CE,PSE acquired

Connectable lighting number:1

Production
SHANGHAI MOONS'
AUTOMATION

Sales
Stanley Electric CO.,LTD.

* The indicated performance, specification, and other information may be changed without notice subject to technological development.

※SPEC: 2008 December



STANLEY ELECTRIC CO.,LTD.

● United Kingdom
Tel: +44-13-44-393-053

● Germany
Tel: +49-6105-9305-3

● France
Tel: +33-1-47-81-85-85

● U.S.A
Tel: +1-949-222-0777

<http://www.stanley-nlb.com>