

NEW

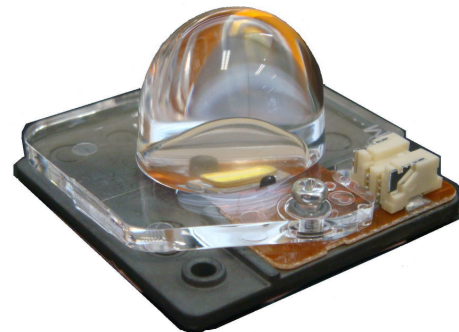
Product
Guide

80lm/W

High Power LED Modules

LLM014 series

We realize most appropriate LED modules for lighting to combine high power LED and our own luminous intensity distribution control technology, which is cultivated by automobile head lamp. You can choose luminous intensity distribution from four characteristic lenses as usage.



■ Features

- High light intensity(5W type)
- High efficiency (80lm/W)
- Lens variation 4types
- Design free lamp fitting available

■ Main application

- Road lights
- Street lights
- Parking lights
- Security lights
- Sign lights

STANLEY

80lm/W

5W class

Optical lens

Constant current

Design Free

RoHS

Line-up

P/N	LED color [K] typ.	Lens	Vf of LED Module[V] typ.	Watts [W] typ.	Luminous flux IF=400mA [Lm] typ.	Luminous intensity IF=400mA [Cd] typ.
LLM0141A	White 5,000	Wide	13.2 (IF=400mA)	5.28 (IF=400mA)	420	390
LLM0142A		Middle				
LLM0143A		Narrow				
LLM0144A		Super Wide				

External view

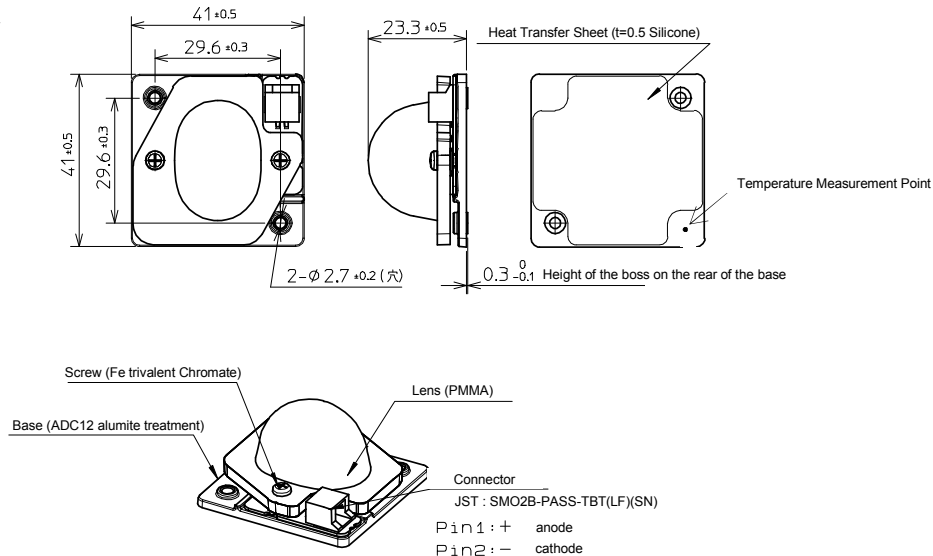
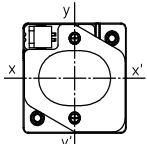


Fig. Lens is LLM0141A.

Light distribution characteristic

Mounting direction



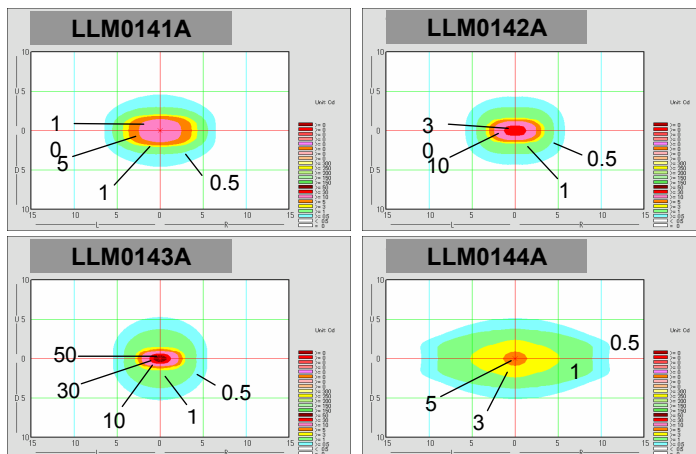
h=4.5m

Irradiation area

30m × 20m

one source of light

Units : lx



Suggested lighting device

40V-400mA
Constant current power supply

Model number
1Unit-400-CCN
CE,PSE acquired

Connectable lighting number:3

Production
SHANGHAI MOONS'
AUTOMATION

Sales
Stanley Electric CO.

* The indicated performance, specification, and other information may be changed without notice subject to technological development. ※SPEC: 2009 June(ver.1)



STANLEY ELECTRIC CO.,LTD.

●United kingdom Tel: +44-13-44-393-053 ●Germany Tel: +49-6105-9305-3 ●France Tel: +33-1-47-81-85-85 ●U.S.A Tel: +1-949-222-0777

<http://www.stanley-nlb.com>