



PRODUCT NEWS

Product under development

Slim Stick S type

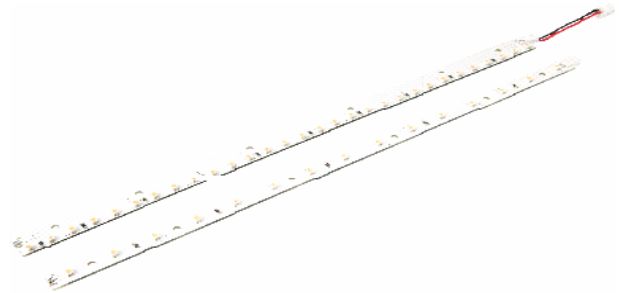
■Product outline

This is a low profile stick-type LED module. It can be installed in a confined space, which was difficult to realize with previous light sources.

By using a dedicated connector, it is possible to light the LEDs at uniform intervals even after they have been coupled to each other.

■Feature

- Thinness compact design
- 15LED type with 20mm pitch and 30LED type with 10mm pitch
- Color variation: 3kinds (White, Warm White and Blue)



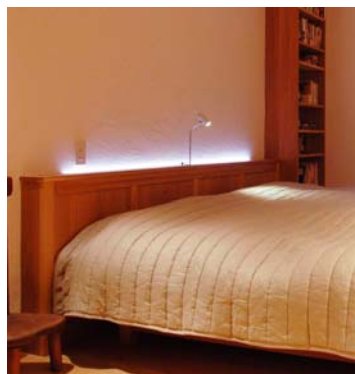
■Applications

- Applicable to indirect lighting for niches. (footsteps, walls, stairs, hand rails, counters, etc.)
- Furniture (beds, bed boards, sideboards, tables, etc.)
- Applicable to fixtures, shelves, etc.

【Product lineup】

Name	Part number	LED color	Nos. of LED pitch	Watts	Lumen	Dimensions
Slim Stick type	STN0101N	White	30pcs 10mm pitch	2.4W	80lm	W294 × D13 × H3
	STW0101N	Warm White			60lm	
	STB0101N	Blue			-	
	STN0201N	White	15pcs 20mm pitch	1.2W	40lm	W294 × D10 × H3
	STW0201N	Warm White			30lm	
	STB0201N	Blue			-	

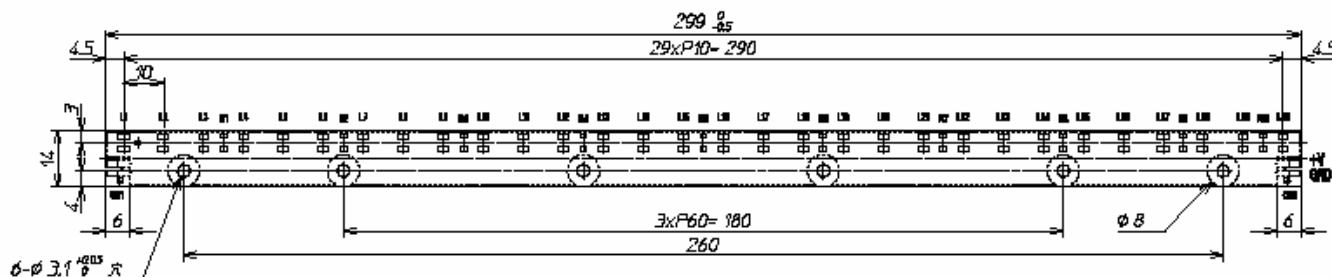
【Applied products】



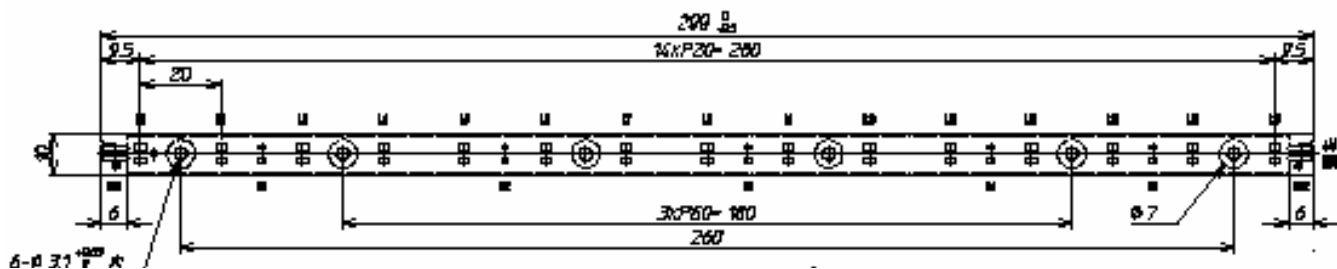
【Absolute maximum ratings】

Items	Absolute maximum ratings
Forward voltage	13.5V
Forward current	150mA 300mA
Operating Temp.	-30°C~+80°C
Storage Temp.	-40°C~+85°C

【Outer dimensions】



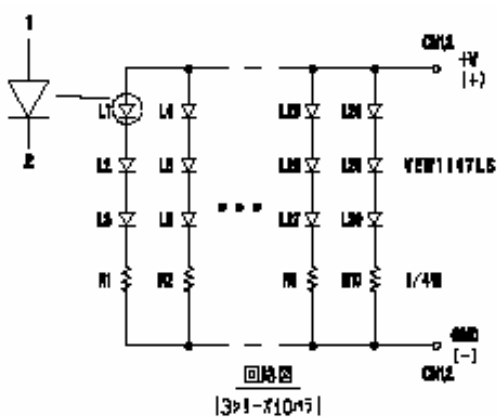
ST□0101N (30pcs)



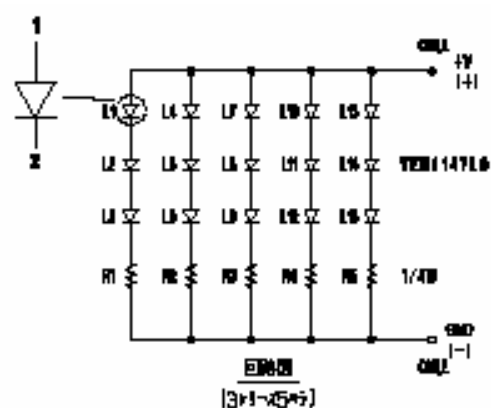
ST□0201N(15pcs)

【Circuit diagram】

ST□0101N (30pcs LED)

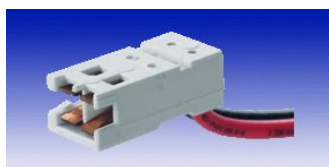


ST□0201N (15pcs LED)



【Recommendable connectors】

BJB-made



47.342.2001



47.342.3001



47.302.3001