

High Power LED Units

LLM2WU series

Highly efficient outdoor lighting unit with easy DC drive thanks to a built-in DC/DC converter.



■ Feature

- Compact profile w/ the radiation fin
- Built-In Constant current circuit (built-in DC-DC converter)
- Radiation fin structure (Integrated a radiation fin)
- Waterproof (IP65)

■ Main application

- Parking lot illumination
- Anticrime illumination
- Warehouse illumination
- Garden illumination

LLM2WU series

※Please make sure to read the specifications before use.

4W

Optical lens attached

Waterproofing

Radiation

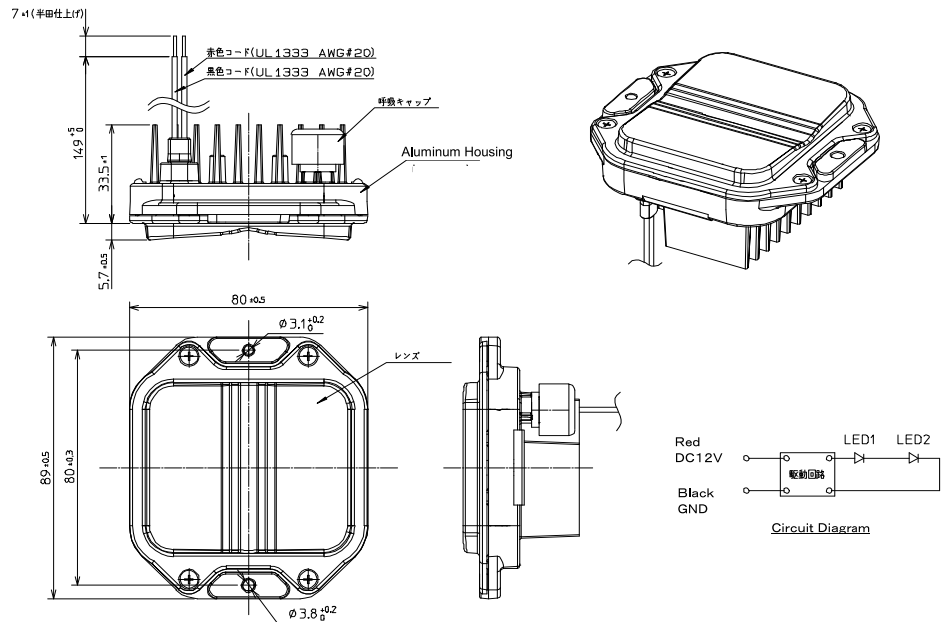
DC12V

RoHS

Lineup

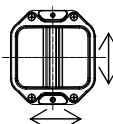
P/N	LED color [K] typ.	Lens	Input Voltage [V] typ.	Watts [W] typ.	Luminous flux Vin=12V ※ [Lm] typ.	Luminous intensity Vin=12V [Cd] typ.
LLM2WU-001	5,100	Fresnel Mid-Wide	12	3.6	229	101

External view

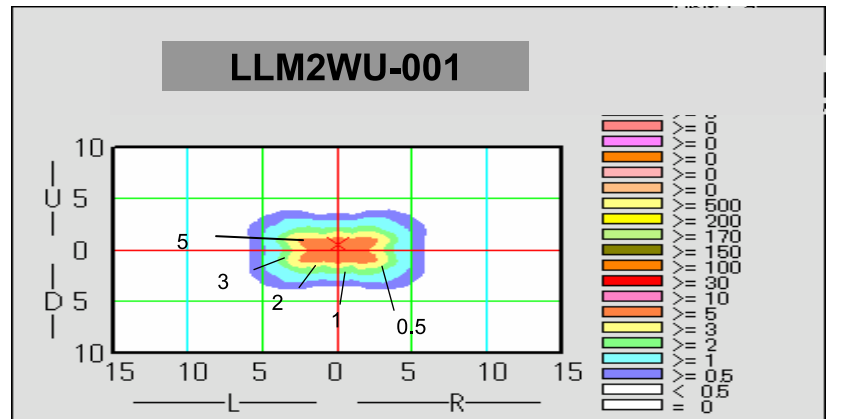


Light distribution characteristic

Mounting direction



H=3.5m
Irradiation area
30m × 20m
One source of light
Units: lx



The Spec may be changed without notice subject to technology development