

NEW

**Product
Guide**

High Power LED Units

LLM0200A series

The most suitable white LED ultra-wide angle unit with a large quantity of light as a light source for illumination purpose



■ Feature

- A large quantity of light: 1,100lm type, Efficiency: 74.8lm/w
- Long life time: 60,000hours
- Heat dissipation structure
- Waterproof structure (IP 65 or above)
- Light weight (Weight: Approx. 270g)

■ Main application

- Security light
- Parking lot illumination
- Road illumination
- Street light

STANLEY

LLM0200A series

※Please make sure to read the specifications before use.

1, 100lm

Light weight
(Approx 270g)

Optical lens
Attached

Waterproof

Radiation

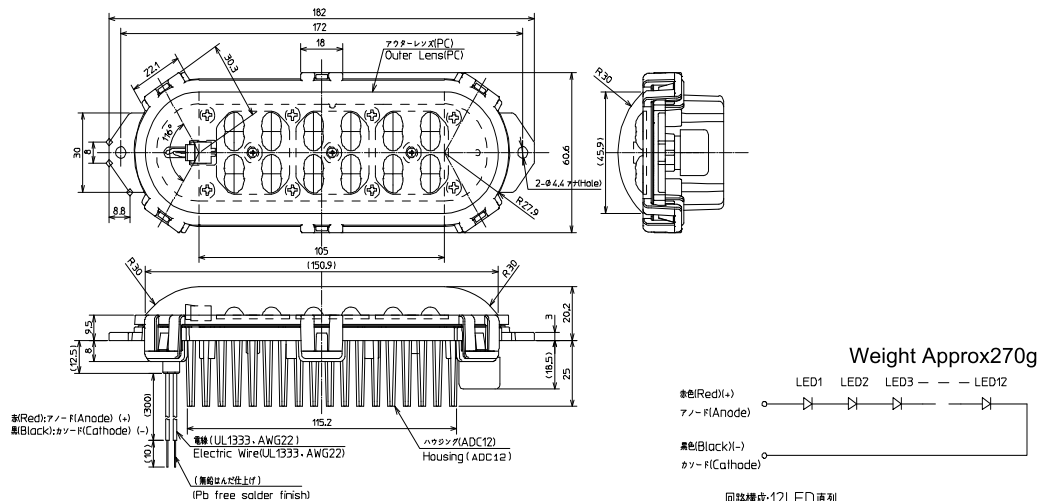
Constant
current

RoHS

Lineup

P/N	LED color [K] typ.	Lens	Vf of LED Unit[V] typ.	Watts [W] typ.	Luminous flux [Lm] typ.	Luminous intensity [Cd] typ.
LLM0200A-1	White 5,100K	Super wide	42	14.7	1,100	335
LLM0200A-2						

External view

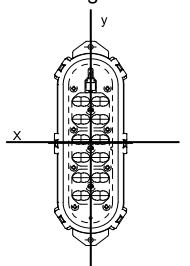


※External view is LLM0200A

Weight Approx270g
回路構成:12LED直列
Circuit Configuration:12LEDs in Series

Light distribution characteristic

Mounting direction



H=4.5m

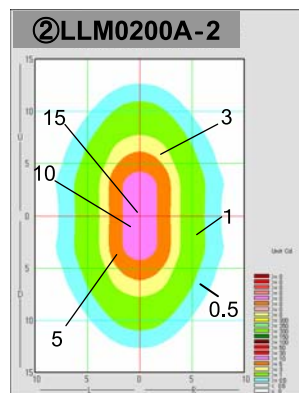
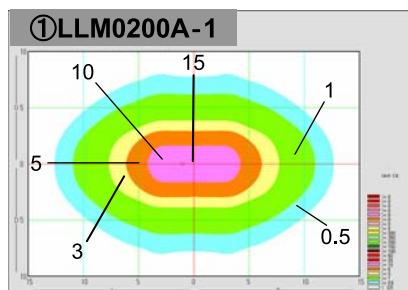
Irradiation area

①30m × 20m

②20m × 30m

One source of
light

Unit : lx



Power supply/ Option

40V-350mA
Constant current

P/N: 1UNIT-350-C-PFC
CE, PSE approved

No. of Link: 1 pc/ psu

Marker: SHANGHAI MOONS'
AUTOMATION

Sales: Stanley Electric Co., Ltd.

The specification may be changed without notice subject to technology development.

※SPEC 2009 June (ver. 1)

STANLEY STANLEY ELECTRIC CO., LTD.

●United kingdom
Tel: +44-13-44-393-053

●Germany
Tel: +49-6105-9305-3

●France
Tel: +33-1-47-81-85-85

●U.S.A
Tel: +1-949-222-0777

<http://www.stanley-nlb.com>