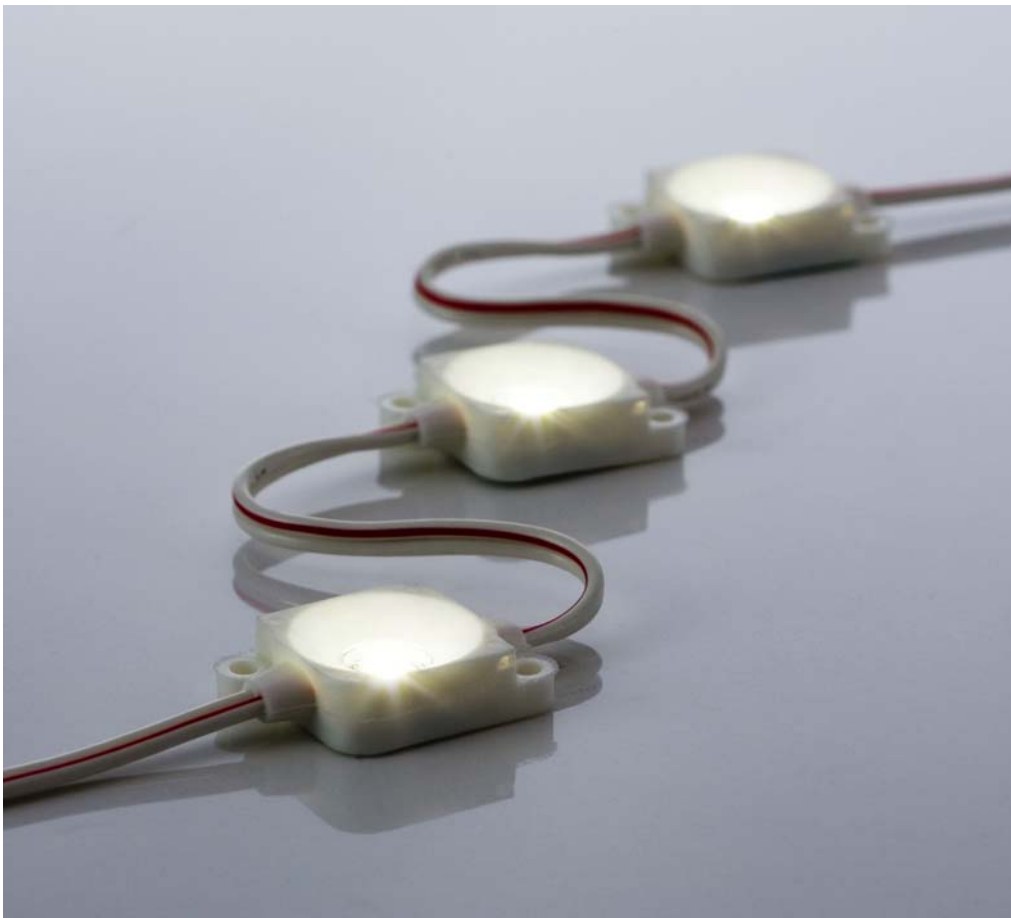


High Power LED Channel Modules LLM0128A/LLM0130A

We realize compact and flexible LED channel modules to combine high power LED and lens.

It has a variety of uses.



■ Features

- Long life
- Thin model (8.8mm)
- Waterproof structure (IP65)

■ Main application

- Channel character
- Billboard advertisement (Inner lighting type)
- Indirect line lighting
- Spot lights

LLM0128A/LLM0130A

Please make sure to read the specifications before use.

Waterproof structure

IP65

Thin model

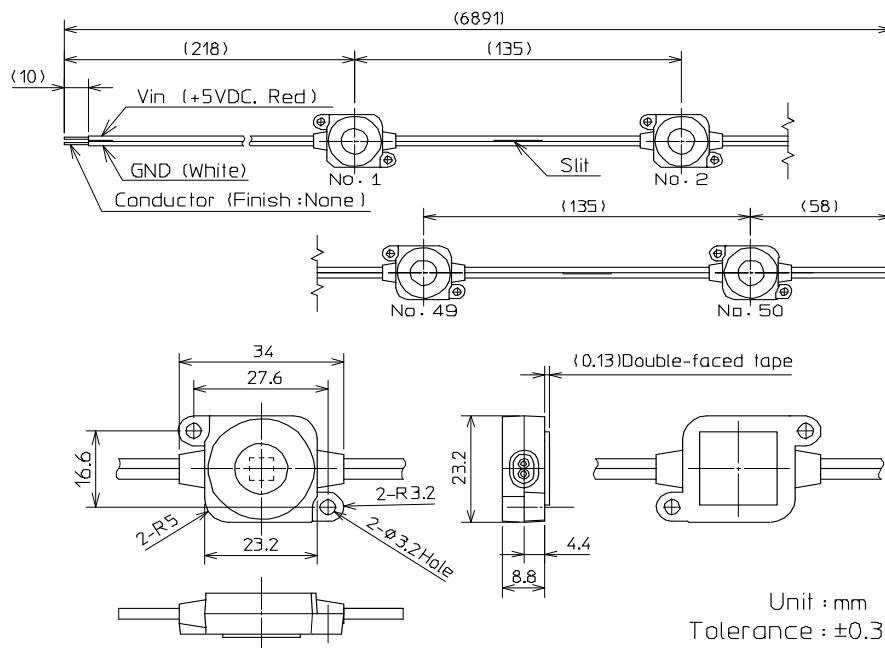
RoHS

Line-up

P/N	LED color [K] typ.	Circuit	Connect number	Pitch	Input voltage [V] typ.	Watts [W] typ.	Luminous Flux [Lm] typ.	Illuminance [lm] typ.
LLM0128A	White	Parallel	50	135	5	28.75	33	48[h=500mm]
								1200[h=100mm]
LLM0130A	White	Parallel	50	100	5	25	17	24[h=500mm]
								610[h=100mm]

External view

Outline Dimensions



Circuit diagram

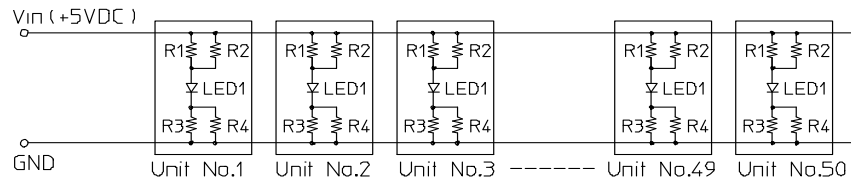


Fig:LEA0128A

* The indicated performance, specification, and other information may be changed without notice subject to technological development. ※SPEC: 2009 March (ver.3)

STANLEY STANLEY ELECTRIC CO.,LTD.

●United kingdom Tel:+44-13-44-393-053
 ●Germany Tel:+49-6105-9305-3
 ●France Tel:+33-1-47-81-85-85
 ●U.S.A Tel:+1-949-222-0777
<http://www.stanley-nlb.com>