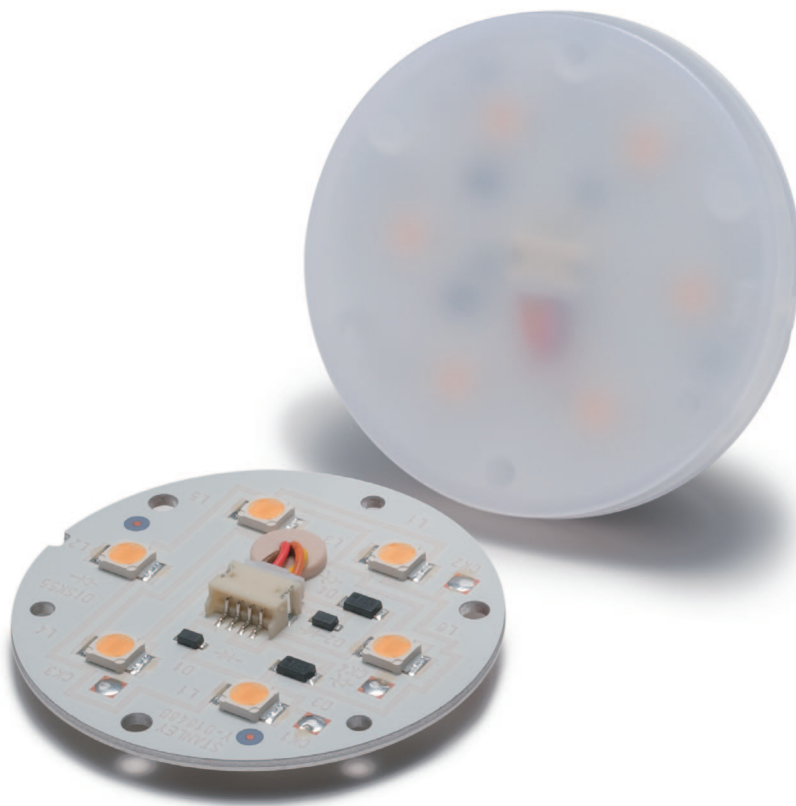


Circle LED Module

Low profile type **Disk05**

A low profile LED module with six 1W arranged LEDs.
Applicable to innovative strong illumination devices
due to ample supply of light quantity and color rendering.



■ Features

- Low profile 8mm, Externals 55mm
- High color rendering Ra92(TYP.)
- Color temperature :
6500K, 5000K, 4200K, 3000K
- Applicable to color temperatures
from 4200K to 6500K only for 5000K
- With case, without case selectable

■ Main applications

- Pendant lights
- Down lights
- Under-shelf lighting
- Built in lighting etc.

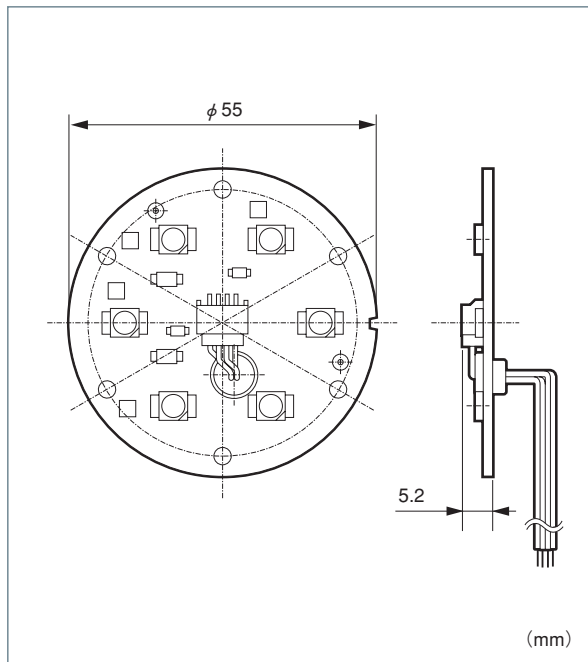
Disk05



Lineup

Item name	Luminous color	No. of LEDs	Light distribution angle	Power consumption	Color rendering Ra (typ)	Flux [lm] (typ)	Illuminance [lx] (typ) h=1m
DSC1601N	Cool White 6500K				70	350	130
DSM1601N	White5000K (Mix 6500K+4200K)	6	120°	7.2W 24V-300mA Constant current drive	80	290	120
DSP1601N	Pure White 4200K				92	280	110
DSW1601N	Warm White 3000K				92	220	90

External view



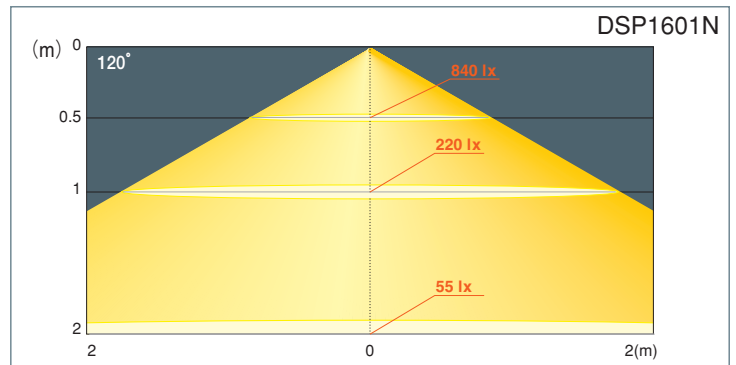
Recommended power supply

45V-300mA
Constant current power supply
CE, PSE satisfied
Item name : CCO4530Y-1CB
Number of connectable devices : 2pcs



Sales : STANLEY ELECTRIC CO., LTD
Production : SHANGHAI MOONS' AUTOMATION CONTROL CO., LTD.

Light distribution characteristics



※The indicated performance, specification, and other information may be changed without notice subject to technological development. Please make sure to read the specifications before use.

※Specification as of November 2008.